

Date		Designed By	Nishant/Kunal
Revision	00	Prepared By	Harsh
Revision Particulars	Issued For Approval	Approved By	Robin Virani



Client/Developer	:		
EPC Contractor	:		
Consultant Name	:		
Project Name			
Title	GTP of 1000V DC PV Solar Straight Inline Fuse Connector Female without Fuse link		
PROJECT NO		REV.	SHEET
DOC.NO		00	1 of 4

Note:- All rights reserved. The documents contain proprietary information which is protected by copyright. No part of this documents may be reproduced, translated in computer language, or transmitted in any form whatsoever without the prior written consent to Elmex Electric Pvt Ltd, Vadodara



EMPV4IFCF

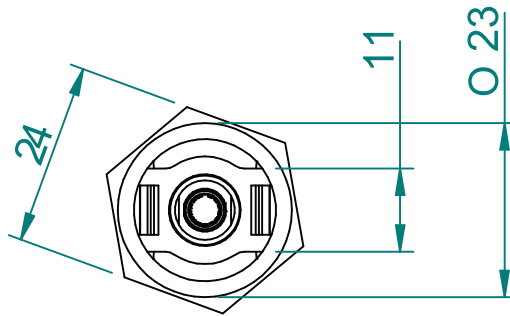
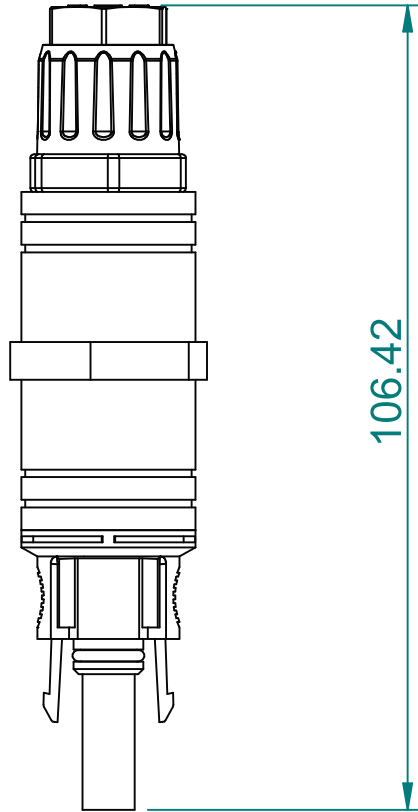
Sr.NO	TECHNICAL PARAMETERS FOR EMPV4IFCF	
1	Factory Inspection	Name of Supplier- Elmex Electric Pvt. Ltd. Factory Address- 134-135, GIDC ESTATE, POR - RAMANGAMDI, VADODARA 391243, GUJARAT, INDIA.
2	Product Partcode	EMPV4IFCF
3	Rated Voltage	1000V DC
4	Rated Current (TUV)	15A
5	Rated Impulse Voltage	12kV
6	RMS withstand Voltage	6kV
7	Protection Class	Class II
8	Application Class	A
9	Flammability Class	UL94-V0
10	Insulating Material	NORYL 9406P PPE+PS
11	Pollution Degree	3
12	Degree of Protection	IP68 (Mated Condition)
13	Over voltage Category	III
14	Lower Ambient Temperature	-40°C
15	Upper ambient Temperature	+85°C
16	Upper Limit Temperature	+110°C
17	Termination and Connection	Crimped Connection
18	Suitable DC PV Cable Size	2.5 mm ² , 4 mm ² , 6 mm ²
19	Metal Contact Pin material	Copper with Tin Plating
20	Stripping Length	8mm-10mm
21	Insertion Force	≤50N
22	Withdrawal Force	≥50N
23	Salt mist Spray Test	IEC60068-2-52, Severity 6
24	Locking System	Snap In
25	Fuse Link Suitable Size	φ 10 x 38mm EPVFL 



Sr.NO	TECHNICAL PARAMETERS FOR EMPV4IFCF	
26	Tool Required for Crimping	 <p data-bbox="1084 464 1260 491">Part code:ESCCT</p>
27	Tool require for Opening and Tightening	 <p data-bbox="1065 783 1268 810">Part code:EPVOS-S</p>

* Do not connect Straight Inline Fuse Connectors directly in MPPT of String Inverter.

**Technical specifications may change in line with Technical Advances and industry standards.

1000V DC Straight Inline Fuse Connector Female



REV. No.	REVISION DETAIL			ECR No.	MODIFY BY	DATE
IF ANY DOUBT PLEASE ASK		REMOVE ALL SHARP EDGES		ALL DIMENSIONS ARE IN "mm"		
	ELMEX CONTROLS Pvt. Ltd. 12, GIDC, MAKARPURA, VADODARA - 390010			MATERIAL		
				MSI No.		
DRAWN BY	NC	DATE	10-08-2017	FINISH		
CHKD. BY	NC	DATE	10-08-2017			
APPROVED BY	SJS	DATE	10-08-2017	WEIGHT		
	SCALE		DESCRIPTION Inline Fuse Connector Female			
SHEET 1 OF 1	SHEET SIZE A4	DRG. NUMBER EMPV4IFCF			REV 0	
<small>EC-F17-2108E_03rd Dec 2010_Ver1.00</small>						