

430W

High efficiency N-TOPCon bifacial solar module

Tier1

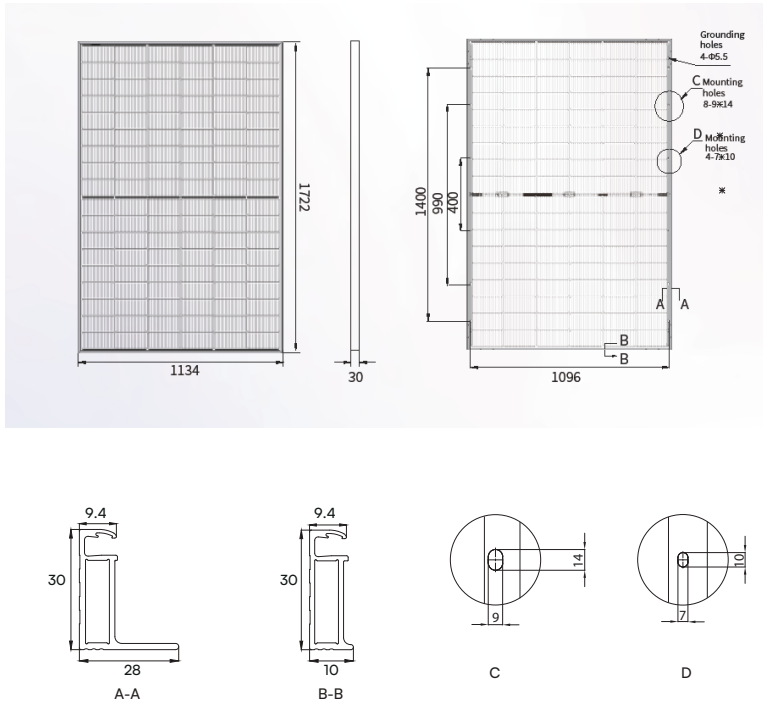
SKU: 11850

Output power

1st Year ≥ 99.00%	12th Year ≥ 96.60%	25th Year ≥ 87.40%
-----------------------------	------------------------------	------------------------------

12-year product materials and workmanship quality warranty

ENGINEERING DRAWING



MECHANICAL PARAMETERS

Cell (mm)	182*91 TOPCon
Dimensions (L*W*H) (mm)	1722*1134*30
Weight (kg)	24.8
Cable Cross Section Size (mm ²)	4
No. of Cells & Connections	108(6*18)
No. of Diodes	3
Frame	Anodized Aluminium Alloy
Glass Thickness (mm)	2.0

QUALIFICATION

Temperature Cycling Range (°C)	-40~+85
Max. Series Fuse Rating (A)	30
Max.Wind Load/Max.Snow Load (Pa)	2400/5400
Hot Spot Rate	100% Free
Fire Rating	Class C
Junction Box & Connector Protection Grade	IP68
Bifacial Factor(%)	80±5

TEMPERATURE COEFFICIENTS

Nominal Module Operating Temperature (NMOT)	43±2°C
Temperature Coefficient Voltage (Voc)	-0.25 %/°C
Temperature Coefficient Current (Isc)	0.045 %/°C
Temperature Coefficient Power (Pm)	-0.30 %/°C

ELECTRICAL PARAMETERS

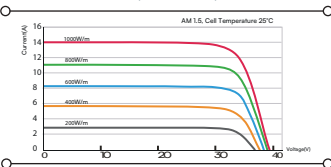
STC
AM1.5
1000W/m²
Cell Temperature 25°C

Max. Power at STC (Pmpp/W)	430
Output Tolerance (W)	0-+5
Max. Power Voltage (Vmp/V)	32.07
Max. Power Current (Imp/A)	13.41
Open Circuit Voltage (Voc/V)	38.35
Short Circuit Current (Isc/A)	14.06
Module Efficiency (%)	22.02

With Different Power Generation Gain
(Regarding 420W as an example)

Backside Power Gain	30%
Max. Power (Pmpp/W)	546
Max. Power Voltage (Vmp/V)	31.66
Max. Power Current (Imp/A)	17.25
Open Circuit Voltage (Voc/V)	38.01
Short Circuit Current (Isc/A)	18.12
Module Efficiency (%)	27.96

I-V CURVE(420W)



PACKING CONFIGURATION

Pieces Per Pallet	36
Pallets Per Container	26
Pieces Per Container	936

Default

Optional

Connector Type	<input type="checkbox"/> MC4Compatible	<input type="checkbox"/> MC4
Cable Length	<input type="checkbox"/> 400mm/300mm	<input type="checkbox"/> Customized
Frame Color	<input type="checkbox"/> Black	<input type="checkbox"/> Silver

*Measurement tolerance: Pmax:±3%, Voc:±3%, Isc: ±5%.